

PXG32-12 12Volt 32Ah

Specifications

Nominal Voltage(V)

12V

Nominal Capacity

20 hour rate	(1.6A to 10.50V)	32Ah
5 hour rate	(5.44A to 10.20V)	27.2Ah
1 hour rate	(17.6A to 9.60V)	17.6Ah
1 C	(32A to 9.60V)	17.07Ah

Weight

Approx. 10.4kg(22.88Lbs.)

Internal Resistance (at 1KHz)

Approx. 9 mΩ

Maximum Discharge Current for

5 seconds:480A

Charging Methods at 25°C(77°F)

Cycle use:

Charging Voltage 13.8 to 14.4V

Coefficient -5.0mV/°C/cell

Maximum Charging Current : 9.6A

Standby use:

Float Charging Voltage 13.5 to 13.8V

Coefficient -3.0mV/°C/cell

Operating Temperature Range

Charge -15°C(5°F) to 40°C(104°F)

Discharge -15°C(5°F) to 50°C(122°F)

Storage -15°C(5°F) to 40°C(104°F)

Charge Retention (shelf life) at 20°C(68°F)

1 month	92%
3 month	90%
6 month	80%

Case Material

ABS UL94 HB

Option: Flammability resistance of (UL94 V-0)

Design Life

7-10 Years.

Terminal

F4

Dimensions

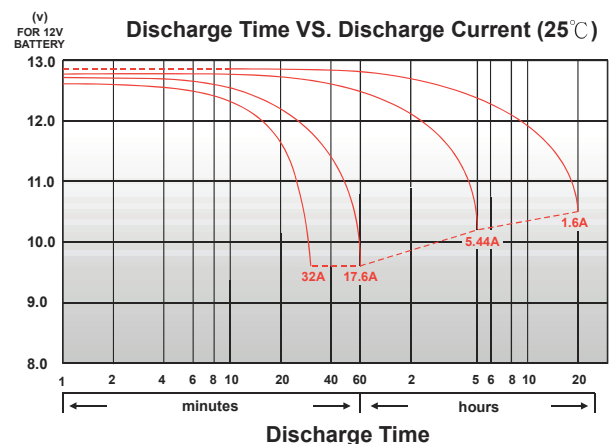
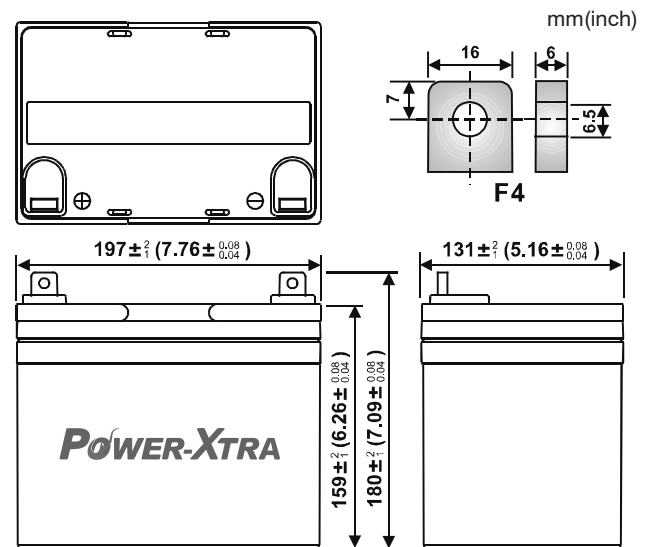
mm(inch)

Length (L) 197+2-1 (7.76+0.08-0.04)

Width (W) 131+2-1 (5.16+0.08-0.04)

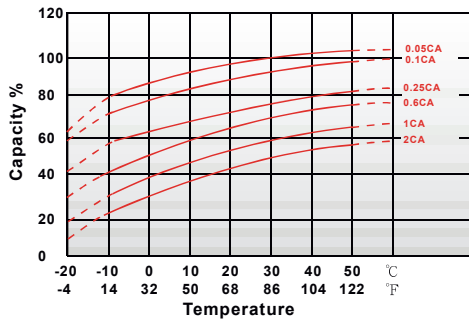
Height (H) 159+2-1 (6.26+0.08-0.04)

Overall Height (HT) 180+2-1 (7.09+0.08-0.04)

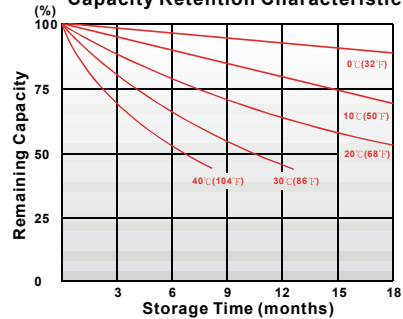


PXG32-12 12Volt 32Ah

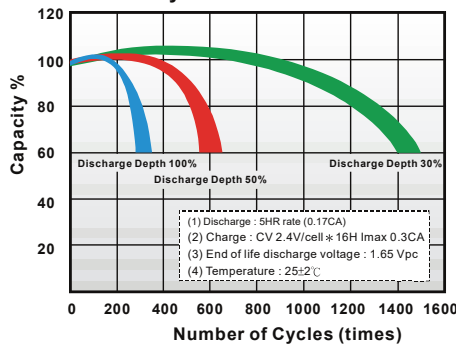
Effect of Temperature on Capacity 25°C(77°F)



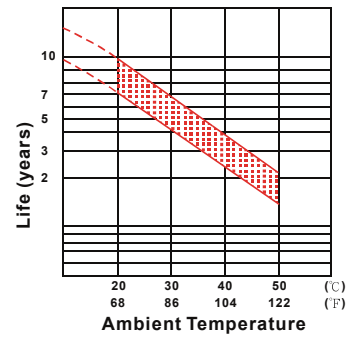
Capacity Retention Characteristic



Cycle Service Life



Trickle (or float) Service Life



- PERFORMANCE DATA

Discharge Rates in Watts to Various End Voltages at 25°C(77°F)

End Voltage		1.85V	1.80V	1.75V	1.70V	1.67V	1.65V	1.60V
Time	5	109	148	177	196	202	208	217
	10	81.8	107	126	138	142	146	152
	15	65.2	84.6	99.0	108	111	114	118
	30	35.3	46.1	54.0	58.9	60.5	62.4	64.6
	60	32.3	34.7	36.1	36.9	37.2	37.7	38.0
	120	21.0	22.1	22.7	23.2	23.4	23.7	23.8
	180	14.0	14.9	15.6	16.0	16.2	16.3	16.5
	240	11.7	12.4	12.9	13.2	13.4	13.5	13.6
	300	10.2	10.9	11.3	11.5	11.6	11.8	11.9
	600	6.14	6.53	6.79	6.93	7.15	7.06	7.12
	1200	3.25	3.43	3.58	3.64	3.68	3.71	3.74

- Discharge Rates in Amperes to Various End Voltages at 25°C(77°F)

End Voltage		1.85V	1.80V	1.75V	1.70V	1.67V	1.65V	1.60V
Time	5	73.6	88.3	97.5	115	119	124	129
	10	55.8	65.1	70.8	74.9	76.6	79.0	81.9
	15	39.3	47.6	53.8	58.9	60.1	61.0	62.3
	30	25.0	28.7	30.2	31.4	31.8	32.3	32.9
	60	15.1	16.3	17.1	17.8	18.0	18.3	18.6
	120	9.81	10.5	11.0	11.4	11.5	11.7	11.9
	180	6.97	7.54	7.98	8.13	8.19	8.28	8.41
	240	5.51	5.96	6.31	6.49	6.54	6.61	6.70
	300	5.15	5.42	5.59	5.71	5.76	5.83	5.90
	600	2.96	3.15	3.27	3.35	3.38	3.41	3.45
	1200	1.58	1.66	1.71	1.75	1.76	1.78	1.80

All data on the spec. sheet is an average value:

The tolerance range : X<6min(+15%~-15%), 6min ≤ X < 10min(+12%~-12%), 10min ≤ X < 60min(+8%~-8%), X ≥ 60min(+5%~-5%)