

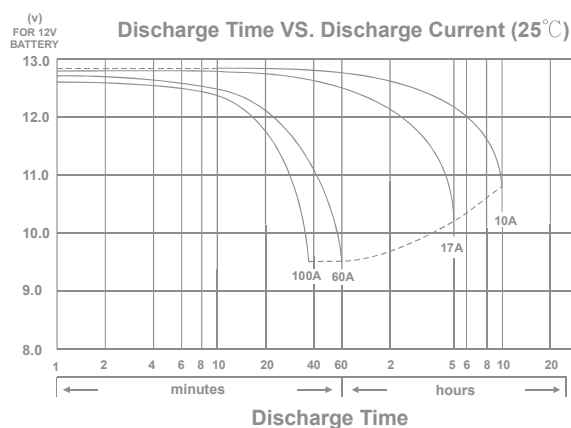
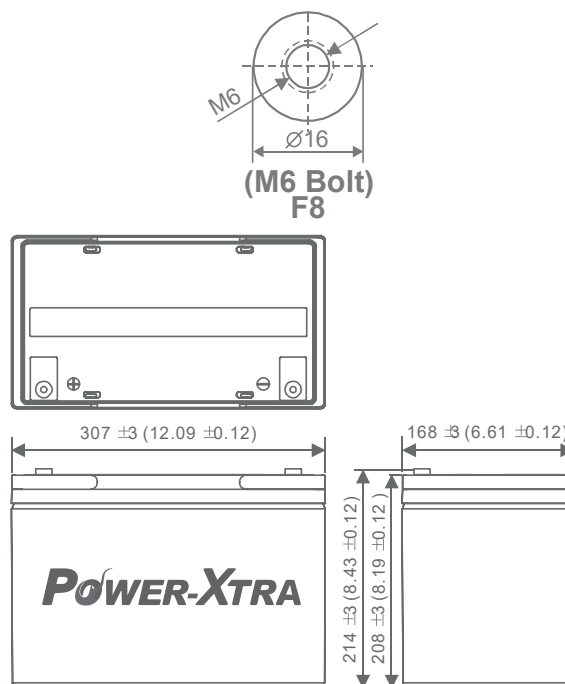
PX100-12 12Volt 100Ah

Specifications

Nominal Voltage(V)	12V		
Nominal Capacity			
10 hour rate (10A to 10.80V)	100Ah		
5 hour rate (17A to 10.20V)	85Ah		
1 hour rate (60A to 9.60V)	60Ah		
1 C (100A to 9.60V)	63.33Ah		
Weight	Approx. 29.5kg(64.9Lbs.)		
Internal Resistance (at 1KHz)	Approx. 5 mΩ		
Maximum Discharge Current for 5 seconds:	1200A		
Charging Methods at 25°C(77°F)			
Cycle use:			
Charging Voltage	14.4 to 15.0V		
Coefficient	-5.0mV/°C/cell		
Maximum Charging Current :	30A		
Standby use:			
Float Charging Voltage	13.5 to 13.8V		
Coefficient	-3.0mV/°C/cell		
Design Life	12 years		
Operating Temperature Range			
Charge	-15°C(5°F)	to	40°C(104°F)
Discharge	-15°C(5°F)	to	50°C(122°F)
Storage	-15°C(5°F)	to	40°C(104°F)
Charge Retention (shelf life) at 20°C(68°F)			
1 month	98%		
3 month	94%		
6 month	85%		
Case Material	ABS UL94 HB		
	Option: Flammability resistance of (UL94 V-0)		
Terminal	F8		
Description of torque value of hard ware for the terminals:			
Recommended torque value	M6: 7 N-m (71kgf-cm)		
Maximum allowable torque value	M6: 9 N-m (92kgf-cm)		

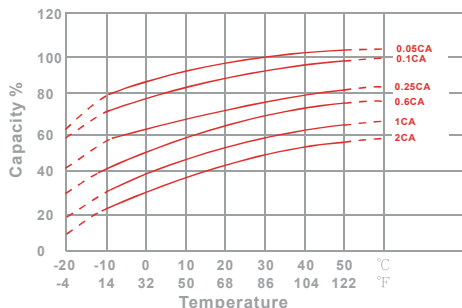
Dimensions

mm(inch)

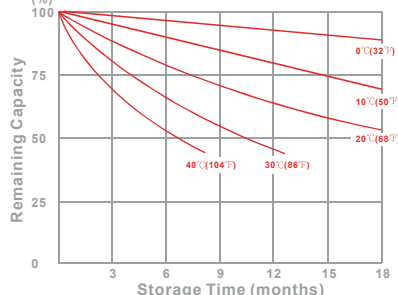


PX100-12 12Volt 100Ah

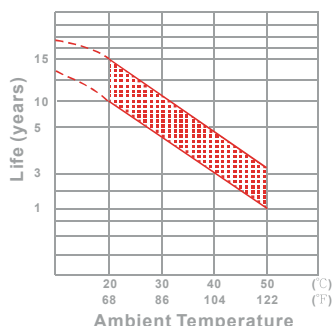
Effect of Temperature on Capacity 25°C(77°F)



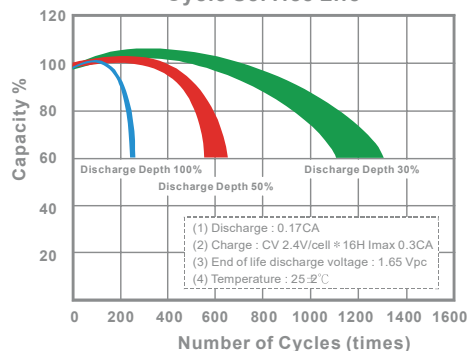
Capacity Retention Characteristic



Trickle (or float) Service Life



Cycle Service Life



- PERFORMANCE DATA

Discharge Rates in Watts to Various End Voltages at 25°C(77°F)

End Voltage		1.85V	1.80V	1.75V	1.70V	1.67V	1.65V	1.60V
5	min	458	512	549	584	600	617	649
10	min	348	380	407	432	443	455	477
15	min	277	301	320	338	346	354	370
30	min	163	174	183	191	195	199	206
60	min	112	116	119	122	123	125	126
120	min	66.3	69.5	72.0	73.5	74.5	75.7	77.2
180	min	47.2	49.7	51.8	52.2	53.0	54.0	55.2
240	min	35.2	37.3	39.3	41.3	42.0	42.8	43.8
300	min	31.3	32.8	34.2	35.2	35.5	36.0	36.7
600	min	18.0	19.2	20.0	20.8	21.2	21.5	21.8
1200	min	10.4	10.7	11.0	11.2	11.3	11.4	11.5

- Discharge Rates in Amperes to Various End Voltages at 25°C(77°F)

End Voltage		1.85V	1.80V	1.75V	1.70V	1.67V	1.65V	1.60V
5	min	202	267	305	336	346	358	375
10	min	159	188	209	226	234	243	257
15	min	119	146	165	179	184	190	198
30	min	71.2	83.7	92.1	101	103	106	111
60	min	43.6	50.8	56.5	60.6	61.5	63.0	64.9
120	min	25.8	29.3	32.5	35.6	36.4	37.3	38.5
180	min	22.6	23.7	24.8	25.7	26.1	26.5	27.2
240	min	18.3	19.1	19.8	20.5	20.8	21.1	21.6
300	min	16.1	16.7	17.2	17.6	17.8	17.9	18.1
600	min	9.71	10.0	10.2	10.4	10.5	10.6	10.7
1200	min	5.09	5.26	5.38	5.48	5.53	5.57	5.64

All data on the spec. sheet is an average value:

The tolerance range : X<6min(+15%~-15%), 6min≤X<10min(+12%~-12%), 10min≤X<60min(+8%~-8%), X≥60min(+5%~-5%)