

# POWER-XTRA

Model : Power-Xtra PX402030 3.7V 180 mAh Li-Polymer Battery with PCM (1.5A) Ver: A0

NO: 900.869.503.047

---

## PX402030 Battery Spec

**Model:** PX402030

**Stock Code:** 900.869.503.047

**Cell Type:** PX402030

**Nominal Voltage:** 3.7V

**Capacity:** 190mAh

Draft	Checking	Approved	Customer Confirmation
Peter	Chun Qi Zeng		

# POWER-XTRA

Model : Power-Xtra PX402030 3.7V 180 mAh Li-Polymer Battery with PCM (1.5A) Ver: A0

NO: 900.869.503.047

## 1. Product Specification

No.	Item	General Parameter		Remark
		Typical		
1	Rated Capacity	Typical	180mAh	Standard discharge ( 0.2C) after Standard charge
		Minimum	176mAh	
2	Nominal Voltage	3.7V		Mean Operation Voltage
3	Voltage at end of Discharge	2.75V		Discharge Cut-off Voltage
4	Charging Voltage	4.2±0.03V		
5	Internal Impedance	≤250mΩ		Internal resistance measured at AC 1KHZ after 50% charge The measure must uses the new batteries that within one week after shipment and cycles less than 5 times
6	Weight 重量	About 2.8 g		
7	Standard charge	Constant Current 0.2C Constant Voltage 4.2V 0.01 C cut-off		
8	Standard discharge	Constant current 0.2C end voltage 2.75V		
9	Fast charge	Constant Current 1.0C Constant Voltage 4.2V 0.01C cut-off		
10	Fast discharge	Constant current 1.0C end voltage 2.75V		
11	Maximum Continuous Charge Current	1.0C		
12	Maximum Continuous Discharge Current	1.0C		
13	Operation Temperature Range	Charge: 0~45°C		60±25%R.H. Bare Cell
		Discharge: -20~60°C		
14	Storage Temperature Range	Less than 1 year: -20~25°C		60±25%R.H. at the shipment state
		less than 3 months: -20~40°C		
15	Single cell	Length (L)	30.0±0.5mm	Initial Dimension
		Width (W)	20.0±0.5mm	
		Height (H)	4.0±0.2mm	

# POWER-XTRA

Model : Power-Xtra PX402030 3.7V 180 mAh Li-Polymer Battery with PCM (1.5A) Ver: A0

NO: 900.869.503.047

## 2. Performance And Test Conditions

### 3.1 Standard Test Conditions

Test should be conducted with new batteries within one week after shipment from our factory and the cells shall not be cycled more than five times before the test. Unless otherwise specified, test and measurement shall be done under temperature of  $20\pm 5^{\circ}\text{C}$  and relative humidity of 45~85%. If it is judged that the test results are not affected by such conditions, the tests may be conducted at temperature  $15\sim 30^{\circ}\text{C}$  and humidity 25~85%RH.

### 3.2 Measuring Instrument or Apparatus

#### 3.2.1 Dimension Measuring Instrument

The dimension measurement shall be implemented by instruments with equal or more precision scale of 0.01mm.

#### 3.2.2 Voltmeter

Standard class specified in the national standard or more sensitive class having inner impedance more than  $10\text{k}\Omega/\text{V}$

#### 3.2.3 Ammeter

Standard class specified in the national standard or more sensitive class. Total external resistance including ammeter and wire is less than  $0.01\Omega$ .

#### 3.2.4 Impedance Meter

Impedance shall be measured by a sinusoidal alternating current method(1kHz LCR meter).

### 3.3 Appearance

There shall be no such defect as flaw, crack, rust, leakage, which may adversely affect commercial value of battery.

### 3.4 Temperature Dependence of discharge capacity

Table 3 (3)

Discharge Temperature	-10°C	0°C	23°C	60°C
Discharge Capacity (0.2C)	50%	80%	100%	95%

### 3.5 Cycle Life and Leakage-Proof

Table 4 (4)

No.	Item	Criteria	Test Conditions
1	Cycle Life (0.5C)	Higher than 70% of the Initial Capacities of the Cells	Carry out 500cycle Charging/Discharging in the below condition. ◆Charge:Standard Charge ◆Discharge:0.5C to 2.75 V ◆Rest Time between charge/discharge:30min. ◆Temperature: $20\pm 5^{\circ}\text{C}$
2	Leakage-Proof	No leakage (visual inspection)	After full charge with standard charge, store at $55\pm 3^{\circ}\text{C}$ , 60±10%RH for 1 week.

### 3. Mechanical characteristics and Safety Test for Cell

Table 5 ( 5 )

(Mechanical characteristics)

No.	Items	Test Method and Condition	Criteria
1	Vibration Test	After standard charging, fixed the cell to vibration table and subjected to vibration cycling that the frequency is to be varied at the rate of 1Hz per minute between 10Hz an 55Hz, the excursion of the vibration is 1.6mm. The cell shall be vibrated for 30 minutes per axis of XYZ axes.	No leakage No fire
2	Drop Test	The cell is to be dropped from a height of 1 meter twice onto concrete ground.	No explosion, No fire, no leakage.

Table 6 ( 表 6 )

(Safety Test)

Item	Battery Condition	Test Method	Requirements
Crush	Fresh, Fully charged	Crush between two flat plates. Applied force is about 13kN(1.72Mpa) for 30min.	No explosion, No fire
Short Circuit (20°C)	Fresh, Fully charged	Each test sample battery, in turn, is to be short-circuited by connecting the (+) and (-) terminals of the battery with a Cu wire having a maximum resistance load of 0.1Ω.Tests are to be conducted at room temperature(20±2°C ).	No explosion, No fire The Temperature of the surface of the Cells are lower than 150°C
Short Circuit (60°C)	Fresh, Fully charged	Each test sample battery, in turn, is to be short-circuited by connecting the (+) and (-) terminals of the battery with a Cu wire having a maximum resistance load of 0.1Ω.Tests are to be conducted at temperature(60±2°C ).	No explosion, No fire The Temperature of the surface of the Cells are lower than 150°C
Impact	Fresh, Fully charged	A 56mm diameter bar is inlayed into the bottom of a 10kg weight. And the weight is to be dropped from a height of 1m onto a sample battery and then the bar will be across the center of the sample.	No explosion, No fire
Forced Discharge	Fresh, Fully charged	Discharge at a current of 1.0Cfor 2.5h.	No explosion, No fire
Nail Pricking (3mm)	Fresh, Fully charged	Prick through the sample battery with a nail having a diameter of 3mm and remain 2h.	No explosion, No fire

# POWER-XTRA

Model : Power-Xtra PX402030 3.7V 180 mAh Li-Polymer Battery with PCM (1.5A) Ver: A0

NO: 900.869.503.047

## 4. Protection circuit

(PCM Standard)

Item	Symbol	Content	Criterion
Current	IDP	Max.Charging Current	1.5A
		Max.Discharging	1.5A
Over charge Protection	VDET1	Over charge detection voltage	4.28±0.05V
	tVDET1	Over charge detection delay time	80–200ms
	VREL1	Over charge release voltage	4.10±0.05V
Over discharge protection	VDET1	Over discharge detection voltage	2.40±0.10V
	tVDET1	Over discharge detection delay time	40-120ms
	VREL1	Over discharge release voltage	3.00±0.1V
Over current protection	VDET3	Over current detection voltage	1.30±0.5V
	IDP	Over current detection current	3.5±1.0A
	tVDET3	Detection delay time	5-20ms
		Release condition	Cut load
Short protection		Detection condition	Exterior short circuit
	TSHOR	Detection delay time	5-120ms
		Release condition	Cut short circuit
Interior Resistance	RDS	Main loop electrify resistance	VC=4.2V,RDS≤70mΩ
Current consumption	IDD	Current consume in normal operation	3.0μA Type 6.0μA Max

# POWER-XTRA

Model : Power-Xtra PX402030 3.7V 180 mAh Li-Polymer Battery with PCM (1.5A) Ver: A0

NO: 900.869.503.047

## 5. Handling of Cells

### 5.1 Consideration of strength of film package

#### 1) Soft Aluminium foil 铝箔软包装

Easily damaged by sharp edge parts such as pins and needles, Ni-tabs, comparing with metal-can-cased LIB.

2). Sealed edge may be damaged by heat above 100°C, bend or fold sealed edge.

### 5.2 Prohibition short circuit 禁止电池短路

Never make short circuit cell. It generates very high current which causes heating of the cells and may cause electrolyte leakage, gassing or explosion that are very dangerous.

The Power-Xtra tabs may be easily short-circuited by putting them on conductive surface. Such outer short circuit may lead to heat generation and damage of the cell.

An appropriate circuitry with PCM shall be employed to protect accidental short circuit of the battery pack.

### 5.3. Mechanical shock

Power-Xtra cells have less mechanical endurance than metal-can-cased LIB.

Falling, hitting, bending, etc. may cause degradation of Power-Xtra characteristics.

### 5.4 Handling of tabs

The battery tabs are not so stubborn especially for aluminum tab.

Don't bend tab.

Do not bend tabs unnecessarily.

## 6. Storing the Batteries

The batteries should be stored at room temperature, charged to about 30% to 50% of capacity.

We recommend that batteries be charged about once per half a year to prevent over discharge

## 7. Picture

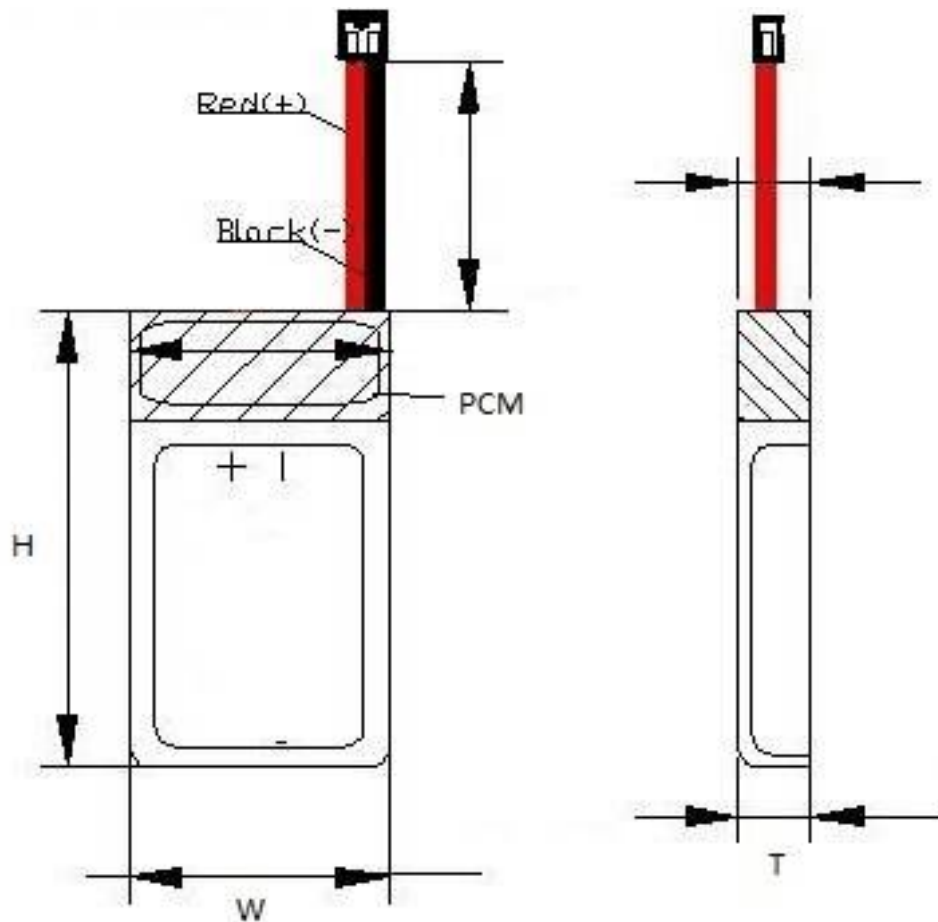


# POWER-XTRA

Model : Power-Xtra PX402030 3.7V 180 mAh Li-Polymer Battery with PCM (1.5A) Ver: A0

NO: 900.869.503.047

## 8. Dimension



Dimensions (Units: mm)	PCM	Normal PCM (1.5A)
	Length Cable (L)	100±5mm
	Width (W)	33.0±1mm
	Height (H)	22.0±1mm
	Thickness (T)	4.2±0.5mm
	Cable	UL1007#28AWG
	Connector	MOLEX 51021

# POWER-XTRA

Model : Power-Xtra PX402030 3.7V 180 mAh Li-Polymer Battery with PCM (1.5A) Ver: A0

NO: 900.869.503.047

## 9. Drawing of Label

PET 透明标签，2D(Data Matrix)二维码。日期按出货月份更改。MM 为月，YY 为年，月份在前，年后（月年），如：0716（2016 年 07 月）。标签格式如下：

## 10. Drawing Packing

PP 袋单独包装，每箱不超 10KG；中性纸箱，贴箱唛；箱唛格式如下：

唛头：

贴于纸箱正/背两面，唛头尺寸 200\*70mm（唛头尺寸视情况而定）：



ENA-13 Bar code 条形码/侧唛：

贴于纸箱正/背两侧，侧唛尺寸 130\*100mm（侧唛尺寸视情况而定）：

← PO NO.	Order 16-8
MODEL NO.	
← QTY	500PCS
← DATE	2017-05-02
Made in China	

根据每次订单更改

根据每箱数量更改

根据出货日期更改