

POWER-XTRA

Model : Power-Xtra CR2330 Lithium Battery with 2 Pins Ver:1.0 NO: 900.600.503.021

PX-CR2330-1F5 Battery Spec

Model : PX-CR2330-1F5

Cell Type : CR2330

Cell Configuration: 1P1S

Nominal Voltage: 3.0V

Capacity: 280mAh

POWER-XTRA

Model : Power-Xtra CR2330 Lithium Battery with 2 Pins Ver:1.0 NO: 900.600.503.021

Revision	Date	Editor	Contents
版本	日期	编著	内容
0.0	2016-05-10	Peter	Draft

Revision History

1. Application 应用.....	Hata! Yer işareti tanımlanmamış.
2. Basic Information 基本信息.....	3
3. Electrical Characters 电气特性.....	3
4. Mechanical Drawings 结构图.....	5
5.1. Sample Picture 样品照.....	5
5.2. Drawing of Outline 外框图.....	6
5.3. Drawing Packing 包装图.....	6
5. Test Item 测试项.....	7

POWER-XTRA

Model : Power-Xtra CR2330 Lithium Battery with 2 Pins Ver:1.0 NO: 900.600.503.021

1. Application

1. Basic Information

Description:	Li-Mn Button Cell with pins
Cell Type:	CR2330
Chemistry:	Li-Mn
Cell configuration:	1P1S
Voltage Nominal:	3.0V
Capacity Nominal:	280mAh
Energy:	0.84Wh

2. Electrical Characters

Table 1:

ITEM		UNIT	SPECIFICATIONS	CONDITIONS
Nominal voltage		V	3.0	Standard discharge
Nominal capacity		mAh	280	Standard discharge
Instantaneous short-circuit current		mA	≥ 250	Time ≤ 0.5 second
Off-load voltage		V	≥ 3.0	
Storage temperature		$^{\circ}\text{C}$	$-20^{\circ}\text{C} \sim 55^{\circ}\text{C}$	
Standard weight		g	4	Unit cell
Service output	After 12 months storage	Standard	1300 h	Continuous discharge with load $15\text{k}\Omega$, till 2.0v end-voltage at $20 \sim 25^{\circ}\text{C}$
		Minimum	1200 h	

POWER-XTRA

Model : Power-Xtra CR2330 Lithium Battery with 2 Pins Ver:1.0 NO: 900.600.503.021

Table 2:

ITEM	CONDITIONS	CHARACTERISTICS	
		Standard	1200 h
Thermal durability	Kept for 20 days at 60°C±3°C, then continuously discharge with 15k Ω load till 2.0v end-voltage	Minimum	1188
Self-discharge rate	Stored for 12 months at normal temperature, then continuously discharged with 15k Ω load till 2.0v end-voltage	≤ 0.5%	
Operating temperature	Normal Operating temperature data	-20°C—60°C	

Table 3:

No	ITEM	TEST METHODS	STANDARD	
1	Dimensions	Using vernier caliper (accuracy≥0.02) while avoiding short-circuit	Diameter	23.0 (-0.20) mm
			Height	3.0(-0.20) mm
2	Off-load voltage	Using multimeter (accuracy≥0.25%) internal resistance≥1M Ω	≥3.30v	
3	Instantaneous short-circuit current	Time of short-circuit should be less than 0.5 second and avoid repeated test within half an hour	≥280mA	
4	Appearance	Eyeballing	Bright, clean, no rust, no leakage, And no flaw	
5	Capacity	Continuously discharge for 8 hours with load 7.5k, temperature at 20~25°C, humidity at 65±20% till 2.0v end-voltage (for fresh battery only: within 3 months)	≥1200h	
6	Vibration test	Put battery on the platform of the vibrations machine, start the machine and adjust the frequency form 10 times per minute to 15 times per minute. keep it running for an hour	Characteristics keep stability	

POWER-XTRA

Model : Power-Xtra CR2330 Lithium Battery with 2 Pins Ver:1.0 NO: 900.600.503.021

7	Leakage at high temperature	Stored under temperature (45°C) for 30 days	Leakage rate $\leq 0.6\%$
8	Over discharge Test	After 2.0v end-voltage, continuously discharged for 5 hours	No leakage allowed

Performance Test Methods:

Unless otherwise stated, all the testing is carried out under the condition: environmental temperature, 20°C~25°C; environmental humidity, 65 \pm 20%. Please refer to Table 3.

3. Mechanical Drawings

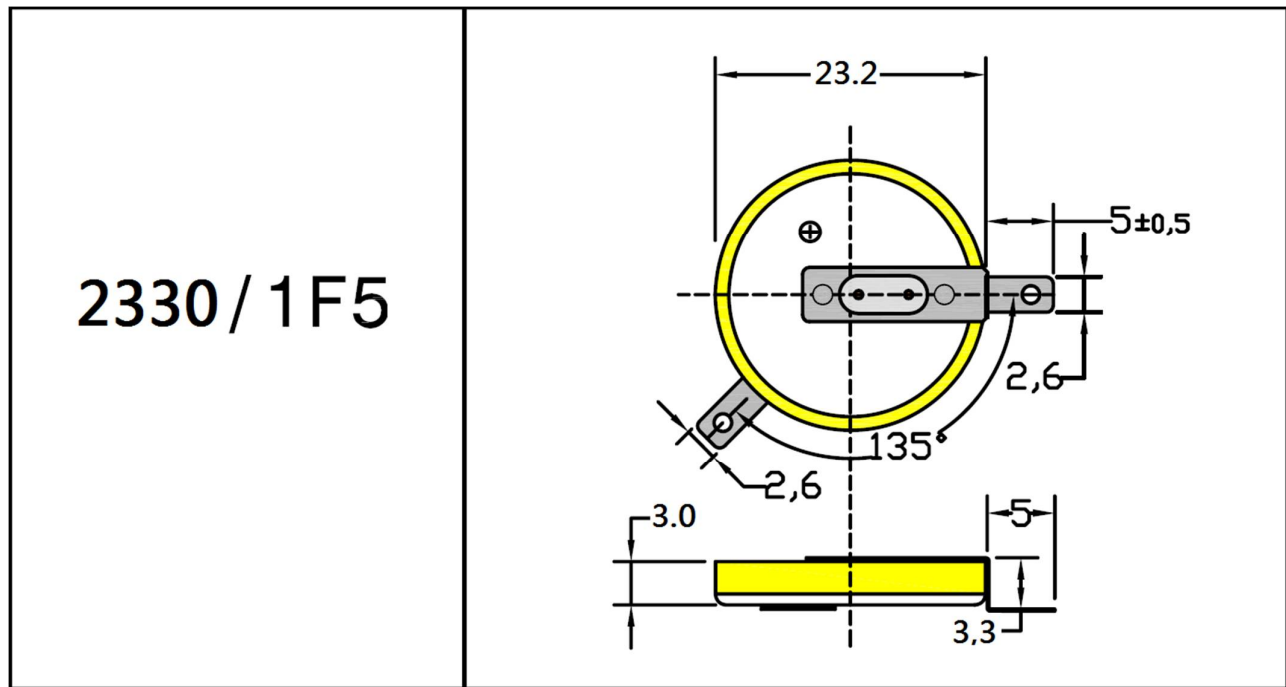
4.1. Sample Picture



POWER-XTRA

Model : Power-Xtra CR2330 Lithium Battery with 2 Pins Ver:1.0 NO: 900.600.503.021

4.2. Drawing of Outline 外框图



4.3. Drawing Packing 包装图

要求托盘底部有硬板夹紧，以免电池松散。

每包/箱标明数量。

每箱不超 10KG



POWER-XTRA

Model : Power-Xtra CR2330 Lithium Battery with 2 Pins Ver:1.0 NO: 900.600.503.021

4. Test Item

(Mi) AQL = 1.5; (Ma) AQL = 0.5; (Cr) Ac = 0;

Test Items		Rang	Defect Class	Test Quantity 测试数量		
				Quality Class I	Quality Class II	Quality Class III
Size	脚宽	2.6±0.05mm	Ma	AQL(S-1)	AQL(S-4)	AQL(II)
	脚距	--	Ma	AQL(S-1)	AQL(S-4)	AQL(II)
	脚长	5±0.5mm	Mi	AQL(S-1)	AQL(S-4)	AQL(II)
	焊脚角度	135 度	Ma	AQL(S-1)	AQL(S-4)	AQL(II)
Performance Test	Capacity	≥280mAh	Mi	AQL(S-1)	AQL(S-4)	AQL(II)
	Welding Test	≥15N	Ma	1pcs/1 machine	1pcs / 4hours * 1machine	1pcs / 2hours * 1machine
	Open Circuit Voltage	>3.3V	Ma	AQL(S-4)	Full 全检	Full 全检
	Short Circuit Current	>250mA	Mi	Full 全检	Full 全检	Full 全检
	Load Voltage (Load=300 ohm)	>3.0V	Ma	Full 全检	Full 全检	Full 全检