

POWER-XTRA

Model : Power-Xtra CR2032 (55) 20MM with 2 Pins 3V Lithium Battery Ver:A1 NO: 900.600.503.002

PX-CR2032-1HF

Battery Spec

Model: PX-CR2032-1HF

Stock Code: 900.600.503.002

Cell Type: CR2032

Nominal Voltage: 3.0V

Capacity: 210mAh

Draft 起草	To examine 审核	Approved 批准	Customer Confirmation 客户确认
Peter	Chun Qi Zeng		

POWER-XTRA

Model : Power-Xtra CR2032 (55) 20MM with 2 Pins 3V Lithium Battery Ver:A1 NO: 900.600.503.002

1. Basic Information

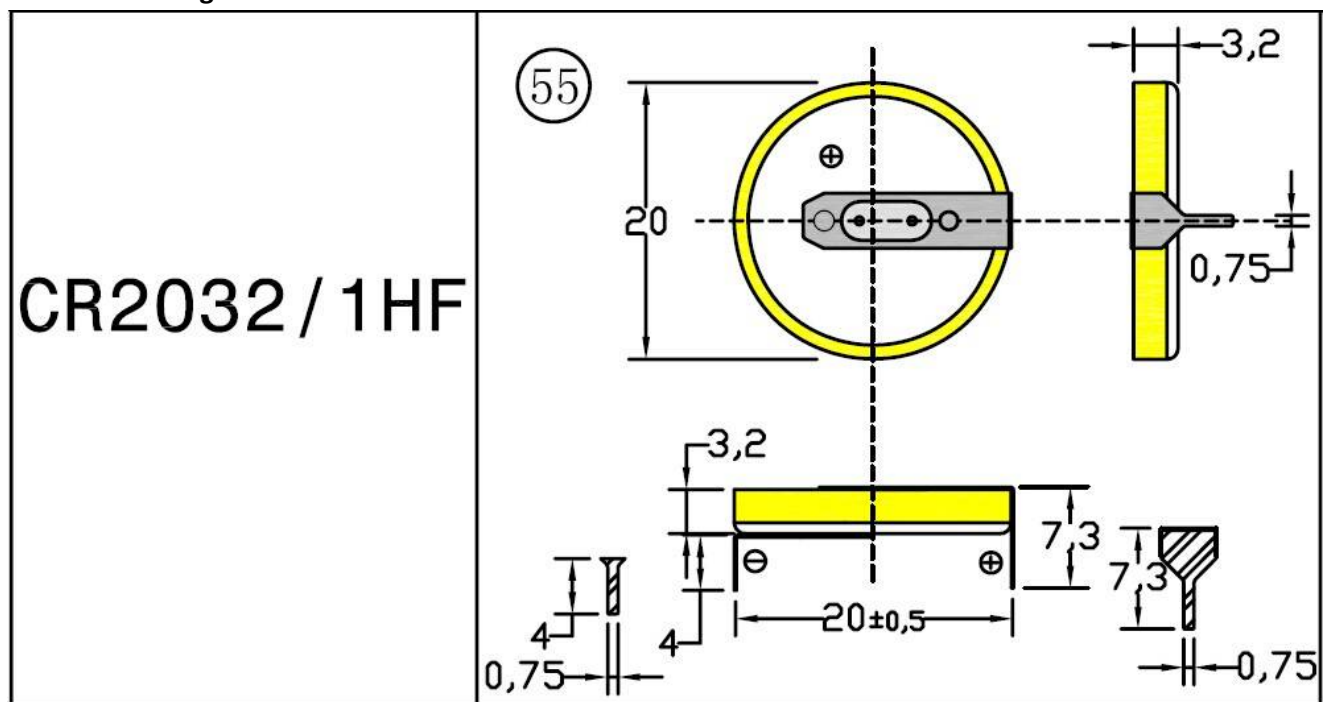
Cell Type: CR2032 (Made in China)
Cell configuration: 1P1S
Voltage Nominal: 3.0V
Capacity Nominal: 210mAh(Discharge load 7.5kΩ, Temperature 20±2°C.)

2. Mechanical Drawings

4.1. Sample Picture

T.B.D.

4.2. Drawing of Outline



Battery cell	CR2032
PVC /color	Yellow
Weld spot	2 spots per pole
Thickness of tab	Existing
Inner packing	B: Sealed thermal shrinkage; Each box labeled quantity

POWER-XTRA

Model : Power-Xtra CR2032 (55) 20MM with 2 Pins 3V Lithium Battery Ver:A1 NO: 900.600.503.002

Drawing Packing

每箱不超 10KG，内置防潮袋，贴侧唛；客户定制 Logo 外箱；外箱 Logo 内容格式如下：



侧唛：

PO NO.	Order 17-9
MODEL NO.	900.600.503.002
QTY	500PCS
DATE	YYYY-MM-DD
Made in China	
 8 680187 004354	

← 根据每次订单更改

← 根据每箱数量更改

← 根据出货日期更改

条形码格式为：GS1(EAN.UCC)/EAN-13 Bar code，侧唛分别贴于纸箱两侧（尺寸视纸箱尺寸更改），内容及格式如下：