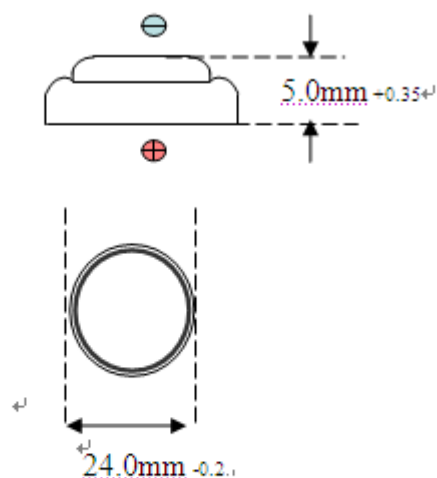


1.规格特性表 Spec Chart

项目 Item	Standard features	
型号 Model	LIR2450	
额定电压 (V)	3.6	
标称容量 (mAh)	110	
最高容量 (mAh)	120	
内阻 (mΩ)	≤400	
尺寸	直径 (mm)	24.0 ^{-0.2}
	高度 (mm)	5.0 ^{-0.35}
重量 Weight (g)	5.0 ± 0.3	



2. Battery Characteristics

2.1 Test Conditions

Temperature: 20°C±1

Relative Humidity: ≤75%±5

Atmosphere pressure: 1atm

2.2 Standard Charge/Discharge Characteristics

The test should be conducted under the condition below:

In a temperature of 20±5°C, CC charge 0.2CmA / voltage up to 4.20V; Then CV charge. Terminate charging when the charging current value is less than 0.05CmA. Rest for no more than 10 minutes, Discharge CC at 0.2CmA to 2.75V.

2.3 Fast Charge/Discharge : Temperature 20±5°C, CC charge at 1CmA to 4.20V; turn to CV charge; Terminate charging when the charging current value is less than 0.05CmA, rest for no more than 10 minutes, then at 1CmA CC discharge to 2.75V.

2.4 Temperature Characteristics : Working temperature range: - 20°C—60°C

Fig.1 Charging Characteristics at various currents

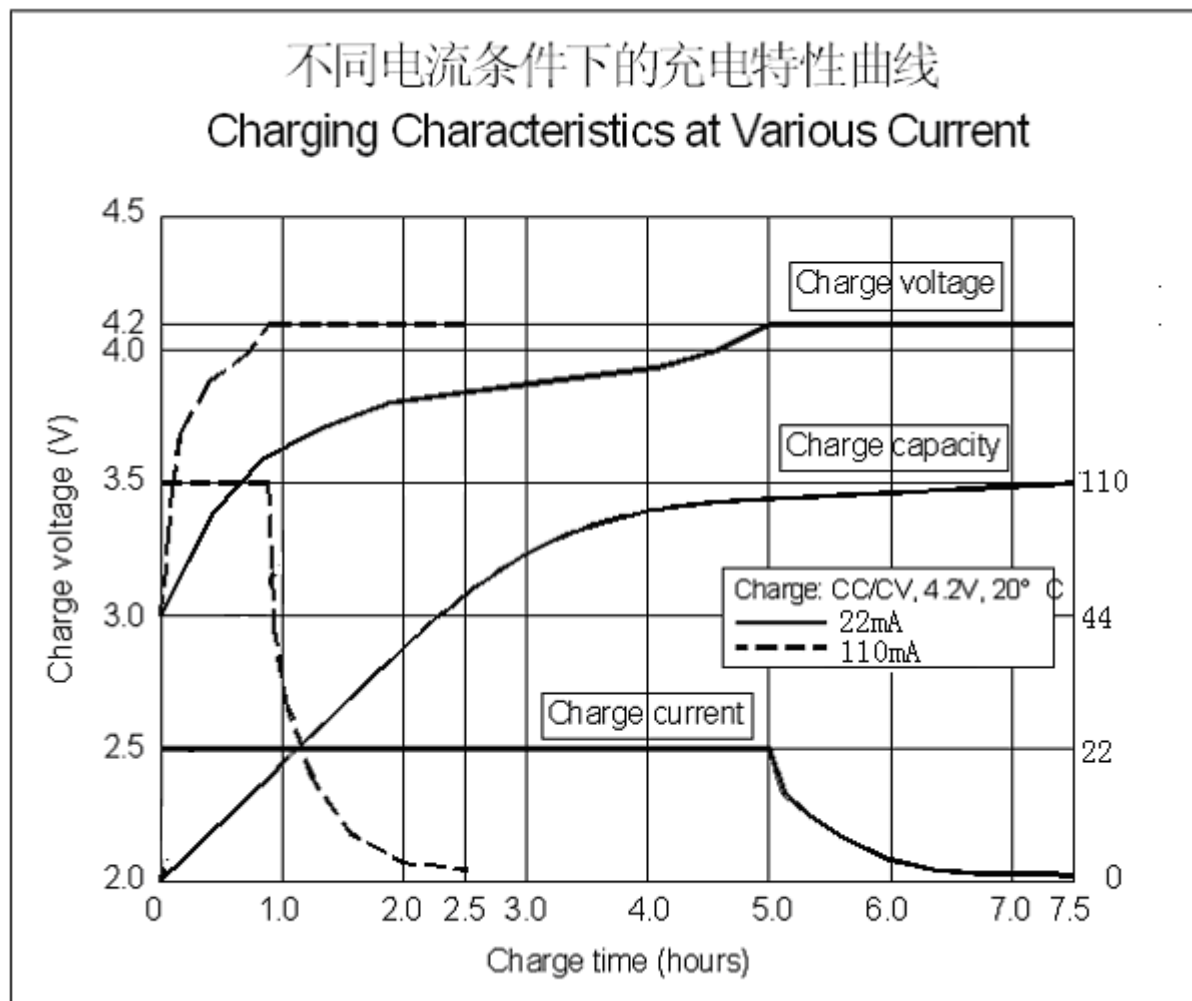


Fig. 2 Discharge Characteristics at various currents

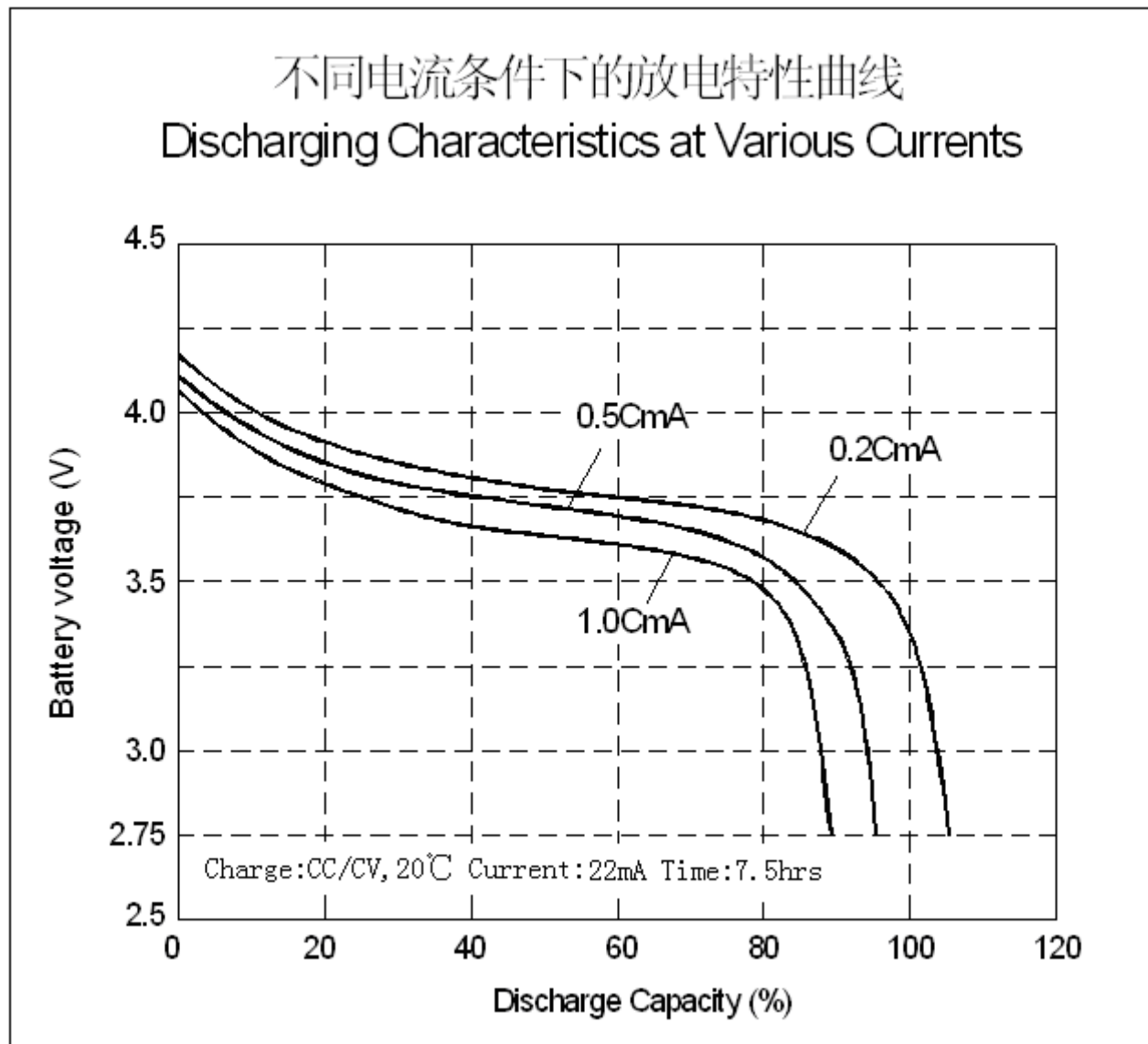


Fig. 3 Discharging Characteristics at various Temperatures

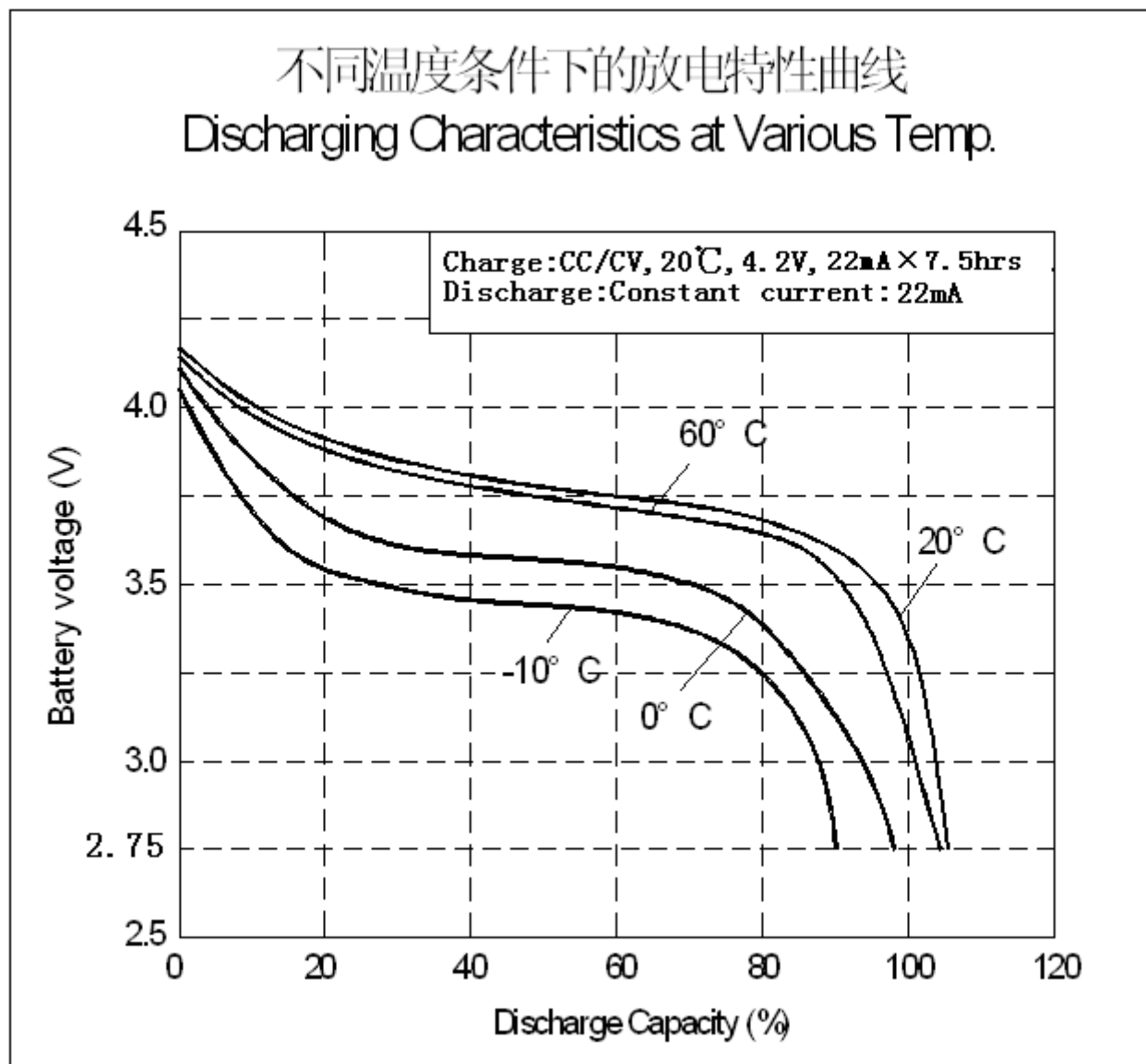


Fig. 4 Storage Characteristics

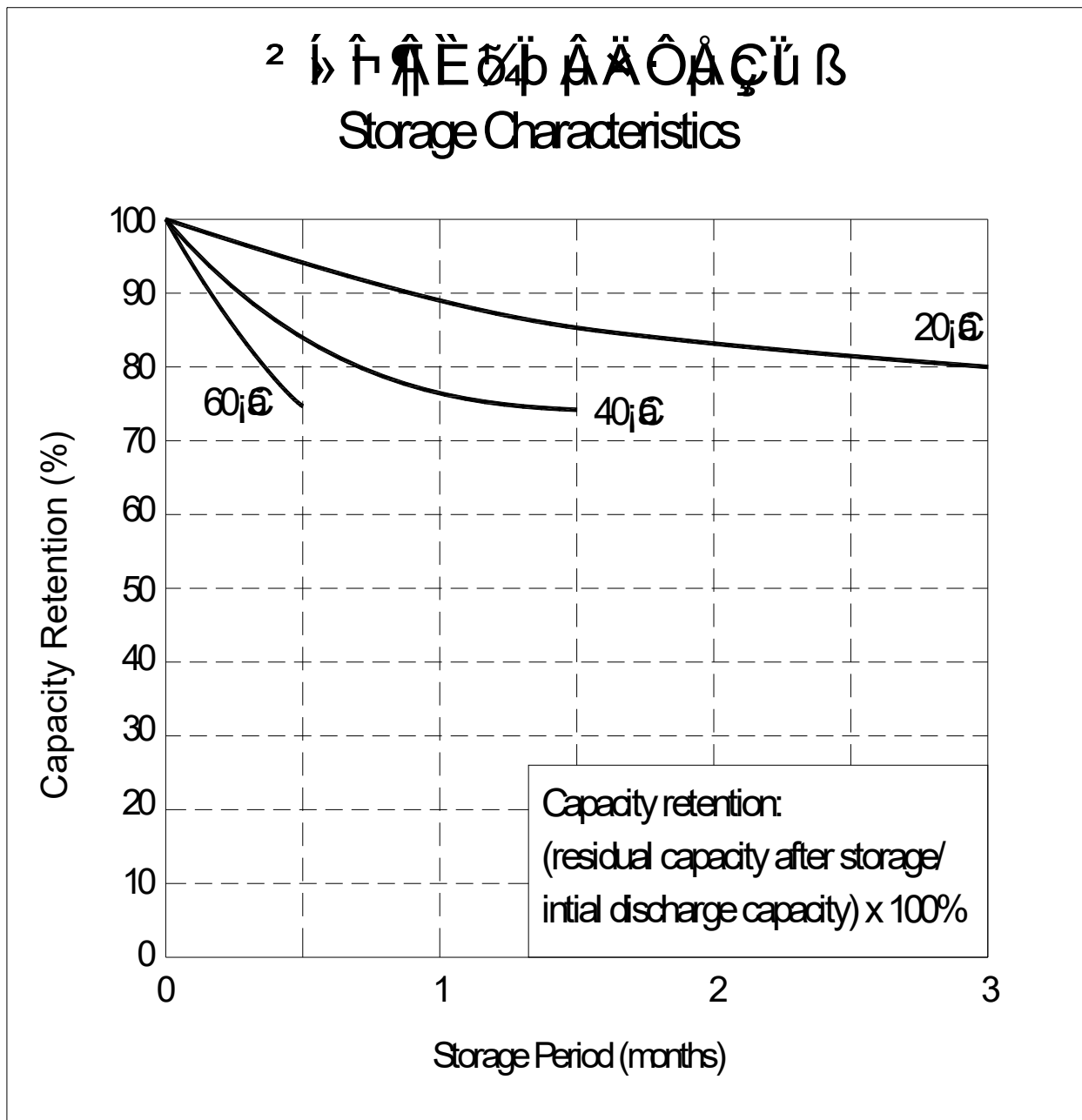


Fig. 5 Cycle Life Chart

